

**HERITAGE® 14**  
**MODELS 2A6H4018-060B**

## Features and Benefits

---

- ◆ **Duration™** compressor
- ◆ Efficiency up to 15.25 SEER and 9.6 HSPF
- ◆ Attractive warm gray cabinet with accent Grill, Badge and Grill Caps
- ◆ Corrosion resistant finish and fasteners
- ◆ **DuraBase™** base pan won't rust, drains completely
- ◆ Control and service valve cover
- ◆ Multi-use service valves
- ◆ Full coil protection and seacoast shield
- ◆ Liquid line filter-drier
- ◆ All aluminum **Spine Fin™** coil
- ◆ **Easy-Sess™** service access for installation, service and maintenance
- ◆ Low sound with advanced fan system and compressor sound insulator
- ◆ **Comfort "R"™** mode approved
- ◆ American Standard and Heritage® 14 badge identifier
- ◆ Factory installed start kit on 018, 024, and 060 models
- ◆ Internal compressor temperature/pressure protection
- ◆ Vertical air discharge
- ◆ Factory supplied charge of R-22 refrigerant
- ◆ **10 year limited warranty on compressor, coil, and 5 years on parts**
- ◆ Compressor sump heat
- ◆ Electronic demand defrost control
- ◆ Low ambient cooling to 55°F as shipped
- ◆ Low ambient cooling to 40°F with EDC accessory AY28X084
- ◆ Low ambient cooling to 30°F with EDC accessory AY28X084 and TXV
- ◆ **Optional extended warranties**

# Contents

## Manufacturing Control

American Standard Heating & Air Conditioning's exclusive control over the design and manufacturing of all major components is unique in the industry. This approach assures us total control over both the quality and reliability of these components. It also allows us to custom match components to deliver the best in split system performance.

## Designing the Details

Careful attention was given to designing the details — from control wiring to the access panels. These units feature time-saving color-coded wiring and removable panels which allow complete access to all major components and controls. All outdoor units feature external high and low pressure gauge port connections. Service valves for easy diagnosing and servicing of the unit are provided.

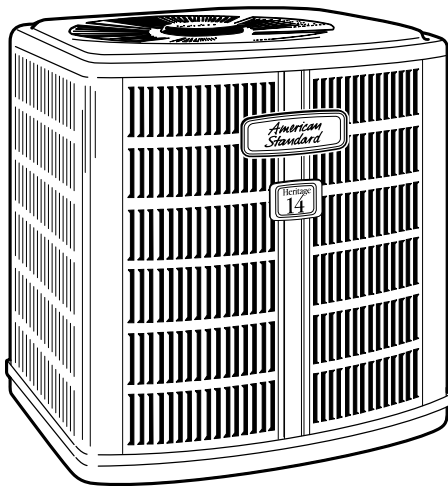
## Standardized Cabinets

In addition all cabinets have been standardized; so when you are servicing an outdoor unit or an air handler all components are in the same location from unit to unit.

## UL Listed

American Standard Heating & Air Conditioning meets or exceeds all nationally recognized agency safety and design standards. Each condensing unit is UL designed, approved, and labeled in accordance to UL Standards, 1995, including approval for use in Canada. Each unit is rated in accordance with ARI Standard 210/240 and 270.

<b>Features and Benefits</b>	<b>2</b>
<b>General Data</b>	<b>4</b>
<b>Product Specifications</b>	<b>4</b>
<b>A-weighted Sound</b>	
<b>Power Level [dB(A)]</b>	<b>4</b>
<b>Accessory Description and Usage</b>	<b>5</b>
<b>ARI Standard Capacity Rating Conditions</b>	<b>5</b>
<b>Model Nomenclature</b>	<b>6</b>
<b>Typical Wiring</b>	<b>7</b>
<b>Dimensional Data</b>	<b>10</b>
<b>Mechanical Specifications</b>	<b>11</b>



**DATA SUBJECT  
TO CHANGE  
WITHOUT NOTICE**

## PRODUCT DATA

American Standard Heating & Air Conditioning, Tyler, TX 75711-9010

# General Data

### Product Specifications

Model No. ①	2A6H4018B1	2A6H4024B1	2A6H4030B1	2A6H4036B1
Electrical Data V/Ph/Hz ②	200/230/1/60	200/230/1/60	208/230/1/60	208/230/1/60
Min Cir Ampacity	8	11	18	21
Max Fuse Size (Amps)	15	15	30	35
Compressor	DURATION™	DURATION™	DURATION™ - SCROLL	DURATION™ - SCROLL
RL Amps - LR Amps	6.2 - 45	8.3 - 62	13.5 - 73	16.0 - 88
Outdoor Fan FL Amps	0.60	0.90	1.30	1.30
Fan HP	1/15	1/8	1/6	1/6
Fan Dia (inches)	23	23	27.6	27.6
Coil	Spine Fin™	Spine Fin™	Spine Fin™	Spine Fin™
Refrigerant R-22	7/12-LB/OZ	8/00-LB/OZ	7/10-LB/OZ	8/15-LB/OZ
Line Size - (in.) O.D. Gas ③	5/8	3/4	3/4	7/8
Line Size - (in.) O.D. Liquid ③	1/4	5/16	5/16	3/8
Dimensions H x W x D (Crated)	38 x 30.1 x 33	42 x 30.1 x 33	38.4 x 35.1 x 38.7	42.4 x 35.1 x 38.7
Weight - Shipping	228	242	245	263
Weight - Net	201	214	211	229
Start Components	YES	YES	NO	NO
Sound Enclosure	YES	YES	YES	YES
Compressor Sump Heat	YES	YES	YES	YES
<b>Optional Accessories: ④</b>				
Anti-short Cycle Timer	TAYASCT501A	TAYASCT501A	TAYASCT501A	TAYASCT501A
Evaporator Defrost Control/AC	AY28X084	AY28X084	AY28X084	AY28X084
Rubber Isolator Kit	BAYISLT101	BAYISLT101	BAYISLT101	BAYISLT101
Snow Leg - Base & Cap 4" High	BAYLEGS002	BAYLEGS002	BAYLEGS002	BAYLEGS002
Snow Leg - 4" Extension	BAYLEGS003	BAYLEGS003	BAYLEGS003	BAYLEGS003
Hard Start Kit Scroll			BAYKSKT260	BAYKSKT260
Extreme Condition Mounting Kit	BAYECMT023	BAYECMT023	BAYECMT004	BAYECMT004
Refrigerant Lineset ⑤	TAYREFLN1*	TAYREFLN2*	TAYREFLN2*	TAYREFLN3*

① Certified in accordance with the Air-Source Unitary Heat Pump Equipment certification program which is based on ARI Standard 210/240.

② Calculated in accordance with N.E.C. Only use HACR circuit breakers or fuses.

③ Standard line lengths - 60'. Standard lift - 60' Suction and Liquid line.

For Greater lengths and lifts refer to refrigerant piping software Pub# 32-3312-0†. (†denotes latest revision)

④ For accessory description and usage, see page 5.

⑤ \* = 15, 20, 25, 30, 40 and 50 foot lineset available.

### A-weighted Sound Power Level [dB(A)]

MODEL	SOUND POWER LEVEL [dB(A)]	A-WEIGHTED FULL OCTAVE SOUND POWER LEVEL dB - [dB(A)]							
		63	125	250	500	1000	2000	4000	8000
2A6H4018B1	74	45.9	55.0	58.6	64.6	67.5	67.1	59.3	58.2
2A6H4024B1	74	47.0	68.2	61.7	64.8	68.2	64.9	57.8	56.3
2A6H4030B1	73	47.2	59.5	60.6	66.5	67.1	62.3	55.5	51.2
2A6H4036B1	74	47.8	57.7	64.0	66.4	69.3	61.7	55.0	48.8
2A6H4042B1	74	47.3	59.2	60.6	67.1	70.1	68.0	58.1	54.3
2A6H4048B1	74	47.3	59.2	60.6	67.1	70.1	68.0	58.1	54.3
2A6H4060B1	74	51.6	57.5	63.4	69.0	66.7	62.5	55.8	49.8

Note: Tested in accordance with ARI Standard 270.95. (Not listed with ARI)

# General Data

## Product Specifications

Model No. ①	2A6H4042B1	2A6H4048B1	2A6H4060B1
Electrical Data V/Ph/Hz ②	208/230/1/60	208/230/1/60	208/230/1/60
Min Cir Ampacity	24	28	34
Max Fuse Size (Amps)	40	45	50
Compressor	DURATION™ - SCROLL	DURATION™ - SCROLL	DURATION™ - SCROLL
RL Amps - LR Amps	17.9 - 104	21.2 - 137	25.0 - 148
Outdoor Fan FL Amps	1.30	1.30	2.80
Fan HP	1/6	1/6	1/3
Fan Dia (inches)	27.6	27.6	27.6
Coil	Spine Fin™	Spine Fin™	Spine Fin™
Refrigerant R-22	9/10-LB/OZ	10/05-LB/OZ	11/12-LB/OZ
Line Size - (in.) O.D. Gas ③	7/8	1-1/8	1-1/8
Line Size - (in.) O.D. Liquid ③	3/8	3/8	3/8
Dimensions H x W x D (Crated)	46.4 x 35.1 x 38.7	46.4 x 35.1 x 38.7	46.4 x 35.1 x 38.7
Weight - Shipping	277	282	306
Weight - Net	241	246	270
Start Components	NO	NO	YES
Sound Enclosure	YES	YES	YES
Compressor Sump Heat	YES	YES	YES
<b>Optional Accessories: ④</b>			
Anti-short Cycle Timer	TAYASCT501A	TAYASCT501A	TAYASCT501A
Evaporator Defrost Control/A/C	AY28X084	AY28X084	AY28X084
Rubber Isolator Kit	BAYISLT101	BAYISLT101	BAYISLT101
Snow Leg - Base & Cap 4" High	BAYLEGS002	BAYLEGS002	BAYLEGS002
Snow Leg - 4" Extension	BAYLEGS003	BAYLEGS003	BAYLEGS003
Hard Start Kit Scroll	BAYKSKT260	BAYKSKT260	
Extreme Condition Mounting Kit	BAYECMT004	BAYECMT004	BAYECMT004
Refrigerant Lineset ⑤	TAYREFLN3*	TAYREFLN4*	TAYREFLN4*

### Accessory Description and Usage

**Anti-Short Cycle Timer** — Solid state timing device that prevents compressor recycling until 5 minutes have elapsed after satisfying call or power interruptions. Use in area with questionable power delivery, commercial applications, long lineset, etc.

**Evaporator Defrost Control** — SPST Temperature actuated switch that cycles the condenser off as indoor coil reaches freeze-up conditions. Used for low ambient cooling to 30°F with TXV.

**Rubber Isolators** — 5 large rubber donuts to isolate condensing unit from transmitting energy into mounting frame or pad. Use on any application where sound transmission needs to be minimized.

**Hard Start kit** — Start capacitor and relay to assist compressor motor startup. Use in areas with marginal power supply, on long linesets, low ambient conditions, etc.

**Extreme Condition Mount Kit** — Bracket kits to securely mount condensing unit to a frame or pad without removing any panels. Use in areas with high winds, or on commercial roof tops, etc.

### ARI Standard Capacity Rating Conditions

#### ARI STANDARD 210/240 RATING CONDITIONS —

- (A) Cooling 80°F DB, 67°F WB air entering indoor coil, 95°F DB air entering outdoor coil.
- (B) High Temperature Heating 47°F DB, 43°F WB air entering outdoor coil, 70°F DB air entering indoor coil.
- (C) Low Temperature Heating 17°F DB, 15°F WB air entering outdoor coil, 70°F DB air entering indoor coil.
- (D) Rated indoor airflow for heating is the same as for cooling.

**ARI STANDARD 270 RATING CONDITIONS** — (Noise rating numbers are determined with the unit in cooling operation.) Standard Noise Rating number is at 95°F outdoor air.



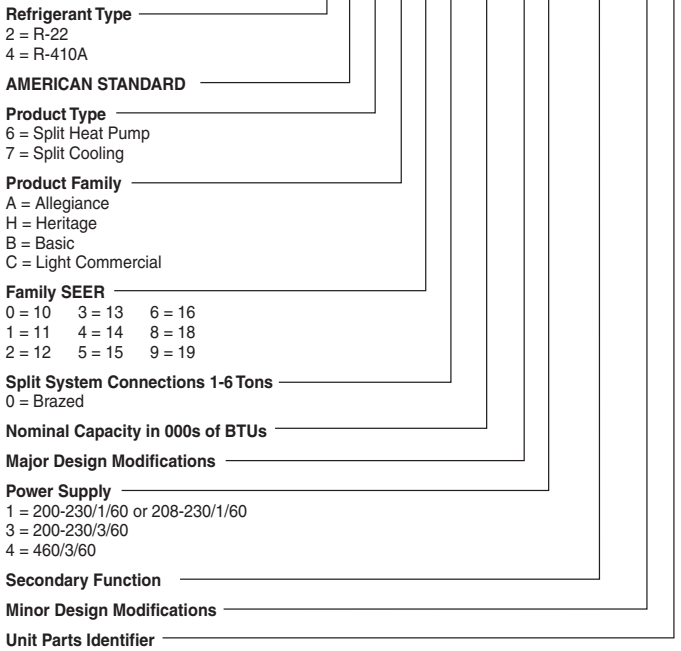
SPLITSYSTEM

# PRODUCT DATA

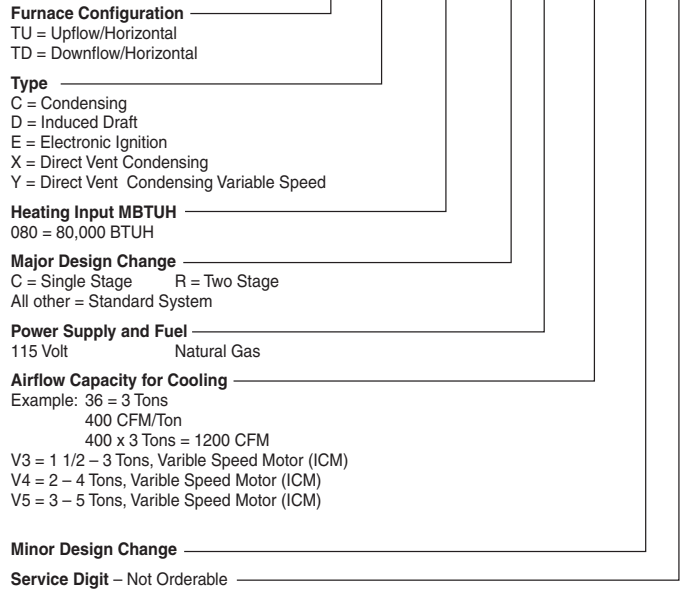
American Standard Heating & Air Conditioning, Tyler, TX 75711-9010

## Model Nomenclature

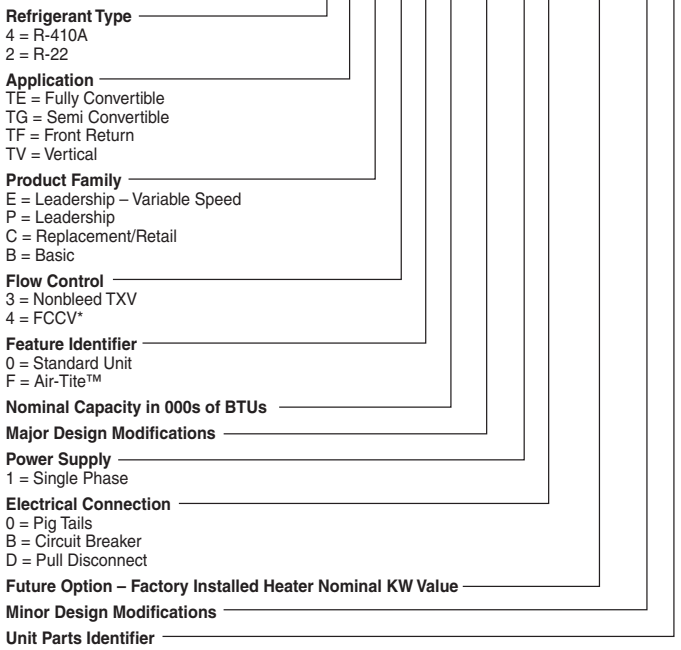
### Outdoor Units



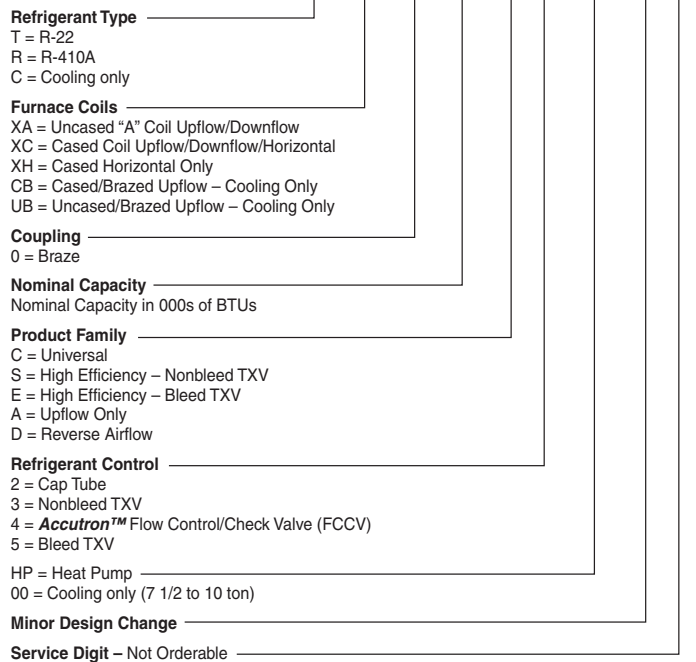
### Gas Furnaces



### Air Handlers - Residential



### Furnace Coils



NOTE: There will be a phase-in of new model numbers for new air handlers over next 2 years.  
\*Shipped with R-22 FCCV

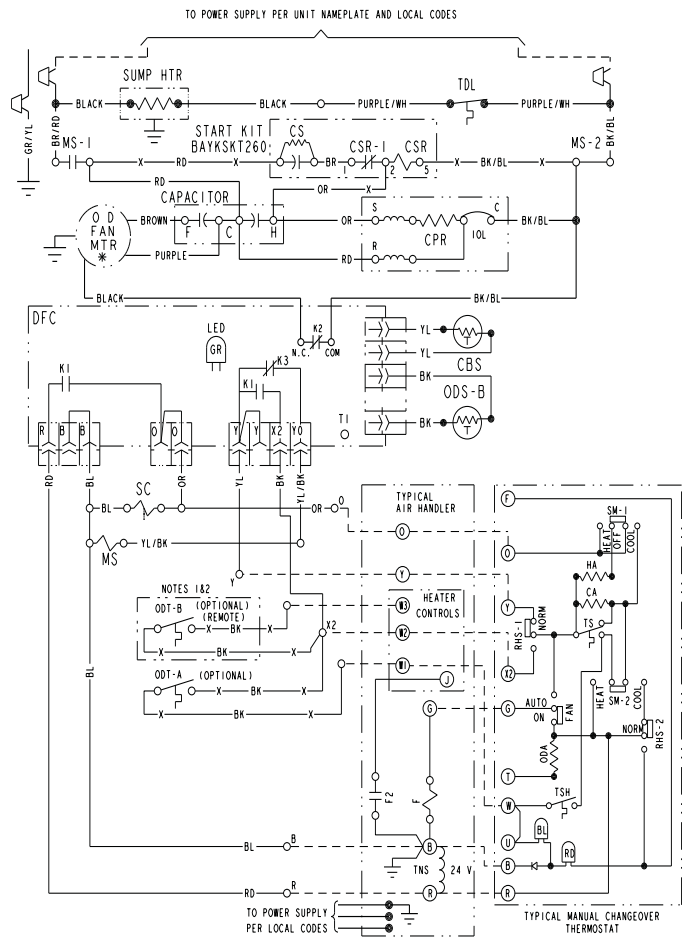
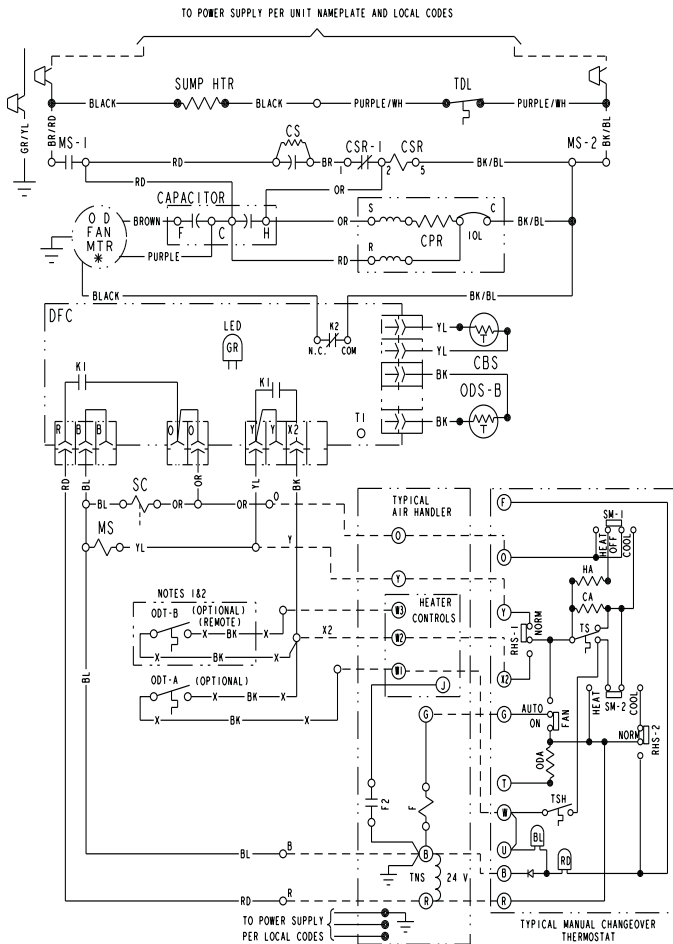
# Typical Wiring

## SCHEMATIC DIAGRAMS

(SEE LEGEND)

### 2A6H4018,024B

### 2A6H4030,036,042B



**NOTES:**

1. IF ODT-B IS NOT USED, ADD JUMPER BETWEEN W2 & W3 AT AIR HANDLER.  
IF USED, ODT-B MUST BE MOUNTED REMOTE OF CONTROL BOX IN AN APPROVED WEATHER PROOF ENCLOSURE.
2. IF ODT-A IS NOT USED, ADD JUMPER BETWEEN W1 & W2 AT AIR HANDLER.
3. LOW VOLTAGE (24 V.) FIELD WIRING MUST BE 18 AWG MIN.

**NOTES:**

1. IF ODT-B IS NOT USED, ADD JUMPER BETWEEN W2 & W3 AT AIR HANDLER.  
IF USED, ODT-B MUST BE MOUNTED REMOTE OF CONTROL BOX IN AN APPROVED WEATHER PROOF ENCLOSURE.
2. IF ODT-A IS NOT USED, ADD JUMPER BETWEEN W1 & W2 AT AIR HANDLER.
3. LOW VOLTAGE (24 V.) FIELD WIRING MUST BE 18 AWG MIN.

<p><b>⚠ WARNING</b> HAZARDOUS VOLTAGE! DISCONNECT ALL ELECTRIC POWER INCLUDING REMOTE DISCONNECTS BEFORE SERVICING. FAILURE TO DISCONNECT POWER BEFORE SERVICING CAN CAUSE SEVERE PERSONAL INJURY OR DEATH!</p>	<p><b>⚠ CAUTION</b> USE COPPER CONDUCTORS ONLY! UNIT TERMINALS ARE NOT DESIGNED TO ACCEPT OTHER TYPES OF CONDUCTORS. FAILURE TO DO SO MAY CAUSE DAMAGE TO THE EQUIPMENT!</p>
---	--

<p><b>⚠ WARNING</b> HAZARDOUS VOLTAGE! DISCONNECT ALL ELECTRIC POWER INCLUDING REMOTE DISCONNECTS BEFORE SERVICING. FAILURE TO DISCONNECT POWER BEFORE SERVICING CAN CAUSE SEVERE PERSONAL INJURY OR DEATH!</p>	<p><b>⚠ CAUTION</b> USE COPPER CONDUCTORS ONLY! UNIT TERMINALS ARE NOT DESIGNED TO ACCEPT OTHER TYPES OF CONDUCTORS. FAILURE TO DO SO MAY CAUSE DAMAGE TO THE EQUIPMENT!</p>
---	--

FOR CANADIAN INSTALLATIONS  
POUR INSTALLATIONS CANADIENNES  
**CAUTION: NOT SUITABLE FOR USE ON SYSTEMS EXCEEDING 150V-TO-GROUND.**  
**ATTENTION: NE CONVIENT PAS AUX INSTALLATIONS DE PLUS DE 150 V A LA TERRE.**

FOR CANADIAN INSTALLATIONS  
POUR INSTALLATIONS CANADIENNES  
**CAUTION: NOT SUITABLE FOR USE ON SYSTEMS EXCEEDING 150V-TO-GROUND.**  
**ATTENTION: NE CONVIENT PAS AUX INSTALLATIONS DE PLUS DE 150 V A LA TERRE.**

Printed from D155609REV00.

Printed from D155610REV00.

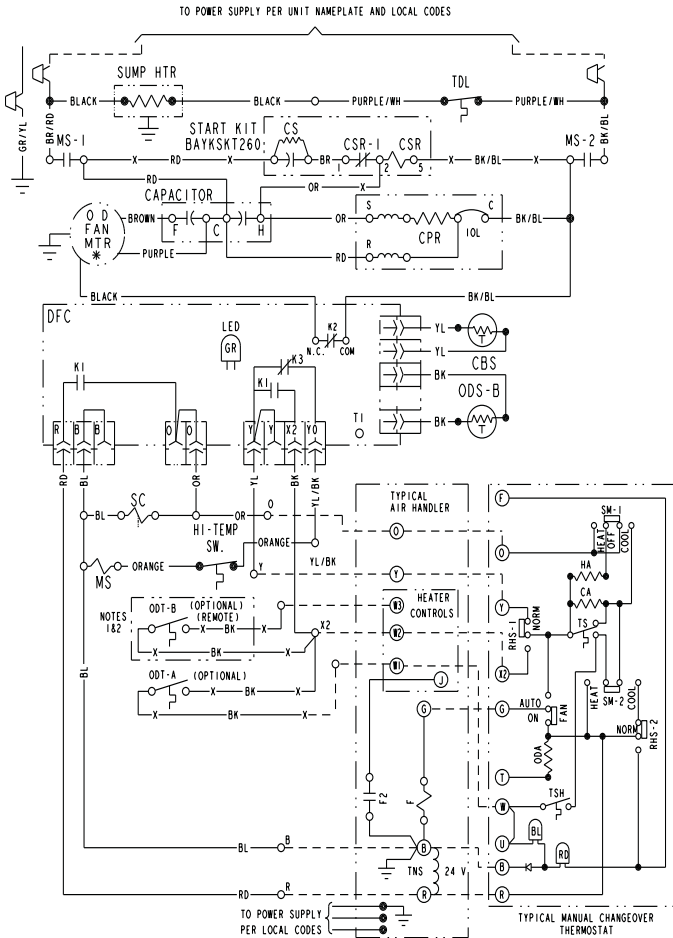
# PRODUCT DATA

American Standard Heating & Air Conditioning, Tyler, TX 75711-9010

## Typical Wiring

### SCHEMATIC DIAGRAMS (SEE LEGEND)

#### 2A6H4048B



NOTES:

1. IF ODT-B IS NOT USED, ADD JUMPER BETWEEN W2 & W3 AT AIR HANDLER.  
IF USED, ODT-B MUST BE MOUNTED REMOTE OF CONTROL BOX IN AN APPROVED WEATHER PROOF ENCLOSURE.
2. IF ODT-A IS NOT USED, ADD JUMPER BETWEEN W1 & W2 AT AIR HANDLER.
3. LOW VOLTAGE (24 V.) FIELD WIRING MUST BE 18 AWG MIN.

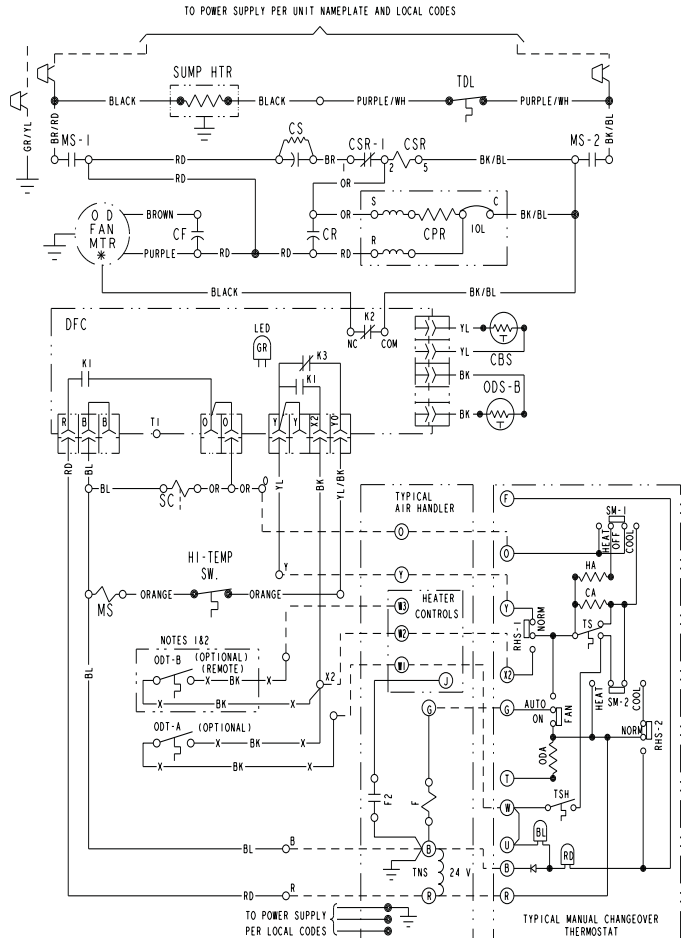
<p><b>⚠ WARNING</b> HAZARDOUS VOLTAGE! DISCONNECT ALL ELECTRIC POWER INCLUDING REMOTE DISCONNECTS BEFORE SERVICING. FAILURE TO DISCONNECT POWER BEFORE SERVICING CAN CAUSE SEVERE PERSONAL INJURY OR DEATH!</p>	<p><b>⚠ CAUTION</b> USE COPPER CONDUCTORS ONLY! UNIT TERMINALS ARE NOT DESIGNED TO ACCEPT OTHER TYPES OF CONDUCTORS. FAILURE TO DO SO MAY CAUSE DAMAGE TO THE EQUIPMENT!</p>
---	--

FOR CANADIAN INSTALLATIONS  
POUR INSTALLATIONS CANADIENNES

CAUTION: NOT SUITABLE FOR USE ON SYSTEMS EXCEEDING 150V-TO-GROUND.  
ATTENTION: NE CONVIENT PAS AUX INSTALLATIONS DE PLUS DE 150 V A LA TERRE.

Printed from D155611REV00.

#### 2A6H4060B



NOTES:

1. IF ODT-B IS NOT USED, ADD JUMPER BETWEEN W2 & W3 AT AIR HANDLER.  
IF USED, ODT-B MUST BE MOUNTED REMOTE OF CONTROL BOX IN AN APPROVED WEATHER PROOF ENCLOSURE.
2. IF ODT-A IS NOT USED, ADD JUMPER BETWEEN W1 & W2 AT AIR HANDLER.
3. LOW VOLTAGE (24 V.) FIELD WIRING MUST BE 18 AWG MIN.

<p><b>⚠ WARNING</b> HAZARDOUS VOLTAGE! DISCONNECT ALL ELECTRIC POWER INCLUDING REMOTE DISCONNECTS BEFORE SERVICING. FAILURE TO DISCONNECT POWER BEFORE SERVICING CAN CAUSE SEVERE PERSONAL INJURY OR DEATH!</p>	<p><b>⚠ CAUTION</b> USE COPPER CONDUCTORS ONLY! UNIT TERMINALS ARE NOT DESIGNED TO ACCEPT OTHER TYPES OF CONDUCTORS. FAILURE TO DO SO MAY CAUSE DAMAGE TO THE EQUIPMENT!</p>
---	--

FOR CANADIAN INSTALLATIONS  
POUR INSTALLATIONS CANADIENNES

CAUTION: NOT SUITABLE FOR USE ON SYSTEMS EXCEEDING 150V-TO-GROUND.  
ATTENTION: NE CONVIENT PAS AUX INSTALLATIONS DE PLUS DE 150 V A LA TERRE.

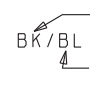
Printed from D155612REV00.



# Typical Wiring

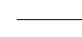


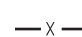

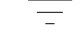


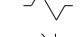





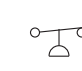
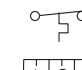
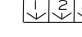




## SCHEMATIC DIAGRAMS

### LEGEND


 COLOR OF WIRE  
 BK/BL BLACK WIRE WITH BLUE MARKER  
 COLOR OF MARKER

BK	BLACK	OR	ORANGE	YL	YELLOW
BL	BLUE	RD	RED	GR	GREEN
BR	BROWN	WH	WHITE	PR	PURPLE

### SYMBOLS

	24 V.	}	FACTORY WIRING
	LINE V.		
	24 V.	}	FIELD WIRING
	LINE V.		
	FIELD INSTALLED FACTORY WIRING		
	GROUND		
	JUNCTION		
	WIRE NUT OR CONNECTOR		
	COIL		
	CAPACITOR		
	RELAY CONTACT (N.O.)		
	RELAY CONTACT (N.C.)		
	THERMISTOR		
	INTERNAL OVERLOAD PROTECTOR		
	PRESSURE ACTUATED SWITCH		
	TEMP. ACTUATED SWITCH		
	POL. PLUG FEMALE HOUSING (MALE TERM.)		
	POL. PLUG MALE HOUSING (FEMALE TERM.)		
	RESISTOR OR HEATING ELEMENT		
	MOTOR WINDING		
	TERMINAL		

CA	COOLING ANTICIPATOR	LPCO	LOW PRESSURE CUTOUT SW.
CBS	COIL BOTTOM SENSOR	MS	COMPRESSOR MOTOR CONTACTOR
CF	FAN CAPACITOR	ODA	OUTDOOR ANTICIPATOR
CN	WIRE CONNECTOR	OFT	OUTDOOR FAN THERMOSTAT
CPR	COMPRESSOR	ODS	OUTDOOR TEMPERATURE SENSOR
CR	RUN CAPACITOR	ODT	OUTDOOR THERMOSTAT
CS	STARTING CAPACITOR	RHS	RESISTANCE HEAT SWITCH
CSR	CAPACITOR SWITCHING RELAY	SC	SWITCHOVER VALVE SOLENOID
DFC	DEFROST CONTROL	SM	SYSTEM "ON-OFF" SWITCH
F	INDOOR FAN RELAY	TDL	DISCHARGE LINE THERMOSTAT
HA	HEATING ANTICIPATOR	INS	TRANSFORMER
HPCO	HIGH PRESSURE CUTOUT SW.	TS	HEATING-COOLING THERMOSTAT
IOL	INTERNAL OVERLOAD PROTECTOR	TSH	HEATING THERMOSTAT
		R	OFT SHUNT RESISTOR

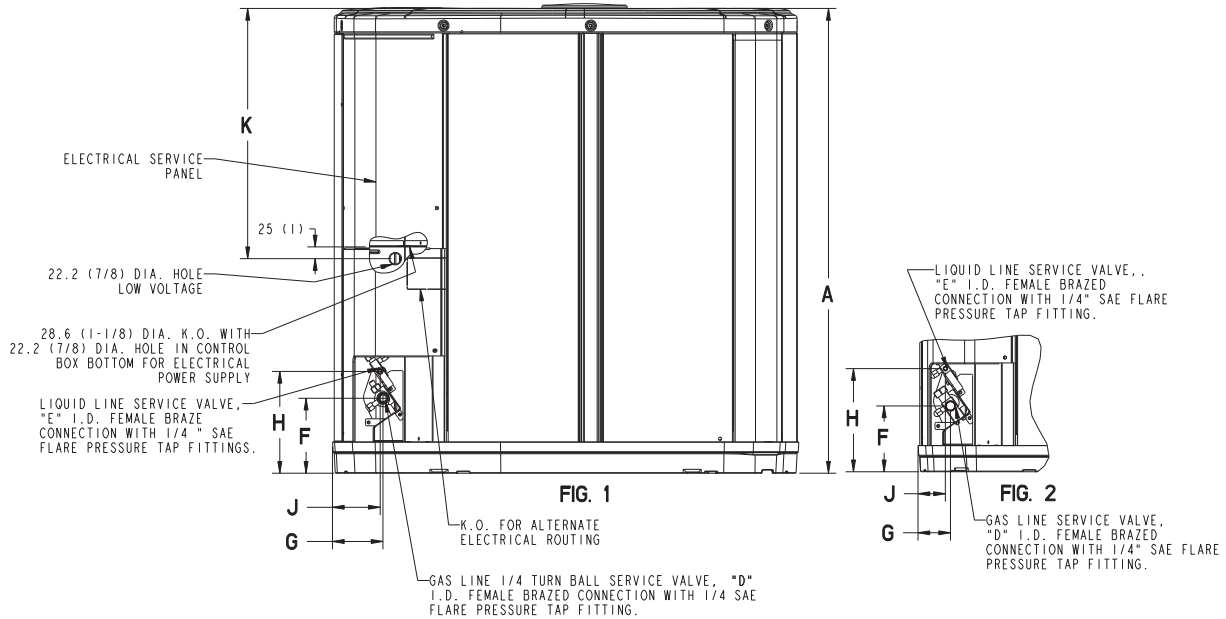
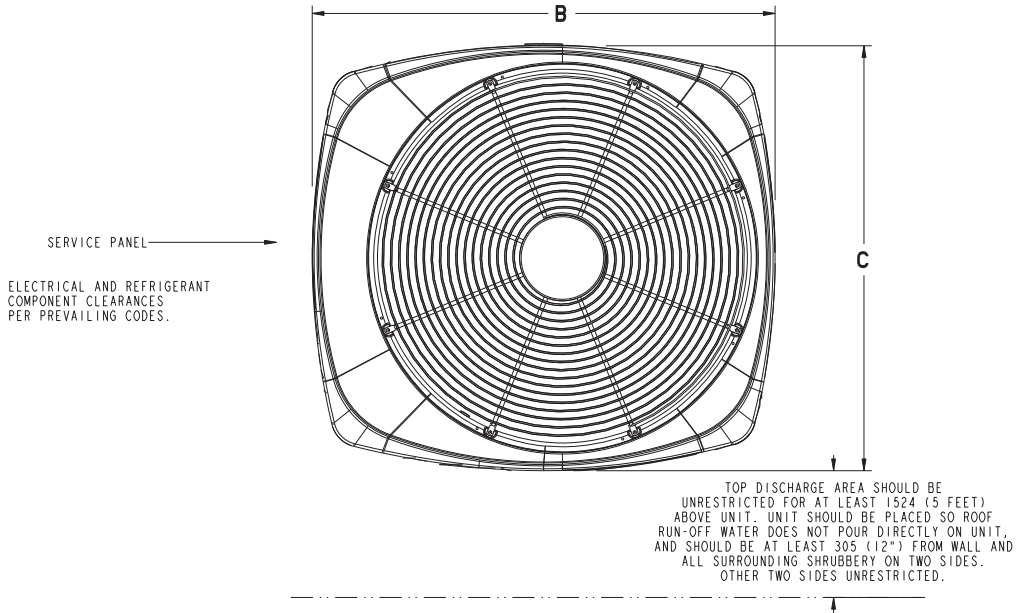
**PRODUCT DATA**

American Standard Heating & Air Conditioning, Tyler, TX 75711-9010

# Dimensional Data

## 2A6H4 OUTLINE DRAWING

NOTE: ALL DIMENSIONS ARE IN MM (INCHES).



MODELS	BASE	FIG.	A	B	C	D	E	F	G	H	J	K
2A6H4018B	3	2	832 (32-3/4)	829 (32-5/8)	756 (29-3/4)	5/8	1/4	137 (5-3/8)	86 (3-3/8)	210 (8-1/4)	79 (3-1/8)	508 (20)
2A6H4024B	3	2	933 (36-3/4)	829 (32-5/8)	756 (29-3/4)	3/4	5/16	143 (5-5/8)	92 (3-5/8)	210 (8-1/4)	79 (3-1/8)	508 (20)
2A6H4030B	4	1	841 (33-1/8)	946 (37-1/4)	870 (34-1/4)	3/4	5/16	152 (6)	98 (3-7/8)	219 (8-5/8)	86 (3-3/8)	508 (20)
2A6H4036B	4	1	943 (37-1/8)	946 (37-1/4)	870 (34-1/4)	7/8	3/8	152 (6)	98 (3-7/8)	219 (8-5/8)	86 (3-3/8)	508 (20)
2A6H4042B	4	1	1045 (41-1/8)	946 (37-1/4)	870 (34-1/4)	7/8	3/8	152 (6)	98 (3-7/8)	219 (8-5/8)	86 (3-3/8)	508 (20)
2A6H4048B	4	1	1045 (41-1/8)	946 (37-1/4)	870 (34-1/4)	1-1/8	3/8	152 (6)	98 (3-7/8)	219 (8-5/8)	86 (3-3/8)	508 (20)
2A6H4060B	4	1	1045 (41-1/8)	946 (37-1/4)	870 (34-1/4)	1-1/8	3/8	152 (6)	98 (3-7/8)	219 (8-5/8)	86 (3-3/8)	508 (20)

From Dwg. D152862 Rev. 17

# Mechanical Specifications

---

## General

These models shall be fully charged from the factory for matched indoor section and up to 15 feet of piping. This unit must be designed to operate at outdoor ambient temperatures as high as 115°F. Cooling capacities shall be matched with a wide selection of air handlers and furnace coils that are ARI certified. The unit shall be UL listed. Exterior must be designed for outdoor application.

## Casing

Unit casing is constructed of heavy gauge, galvanized steel and painted with a weather-resistant powder paint finish on all louvered panels. Corrosion and weatherproof CMBP-G30 DuraBase™ base.

## Refrigerant Controls

Refrigeration system controls include condenser fan and compressor contactor. High and low pressure controls are inherent to the compressor. Unit also has high pressure switch. Another standard feature is the liquid line drier.

## Compressor

The Duration™ compressor features internal over temperature and pressure protector, dipped hermetic motor and sump heater. Other features include: roto lock suction and discharge refrigerant connections, centrifugal oil pump, and low vibration and noise. The Duration™ compressor features a 10-year limited warranty.

## Condenser Coil

The Spine Fin™ coil shall be continuously wrapped, corrosion resistant all aluminum with minimum brazed joints. This coil is seamless aluminum glued to a continuous aluminum fin. Coils are lab tested to withstand 2,000 pounds of pressure per square inch.

## Low Ambient Cooling

As shipped, this unit has a cooling capability to 55°F. The addition of an evaporator defrost control permits operation to 40°F. The addition of an evaporator defrost control with TXV permits low ambient cooling to 30°F.

## Accessories

**Thermostats** — Heat/cooling (manual and automatic changeover). Sub-base to match thermostat and locking thermostat cover.

**Evaporator Defrost Control** — See Low Ambient Cooling.

**Outdoor Thermostat** — Supplemental heat outdoor ambient lockout from 46 to -10°F.

Since the manufacturer has a policy of continuous product and product data improvement, it reserves the right to change design and specifications without notice.

*Technical Literature - Printed in U.S.A.*

**American Standard Heating & Air Conditioning**

*Troup Highway  
Tyler, TX 75711-9010*